

SWING DOOR KIT

Controlling the temperature and the humidity in a building.

» KIT FOR SINGLE & DOUBLE LEAF DOORS.

Protection against sound and smoke.

- > Durable softness and flexibility.
- > Protection against sounds and smokes.
- > Impact- and tear-resistant.
- > Perfect for heavy traffic areas.
- > Secure thanks to its transparency and the Extruflex vinyl softness.



SAFETY LOOP

Ensures security to vehicles and pedestrians if door wings are accidentally detached.



CONNECTION TUBES

Allow for stable the horizontal and vertical profiles' assembly at right angles.



BOTTOM FIXTURE

Floor or wall fixing system (jamb).



TOP FIXTURE

Lintel or wall fixing system.



VINYL SEAL

Ensures a perfect all-round sealing.



CORNER PLATE

Smart connection to cover profile angles.

TORSION SPRING HINGE

Closing mechanism with adjustable spring force setting.



THE PROFILE

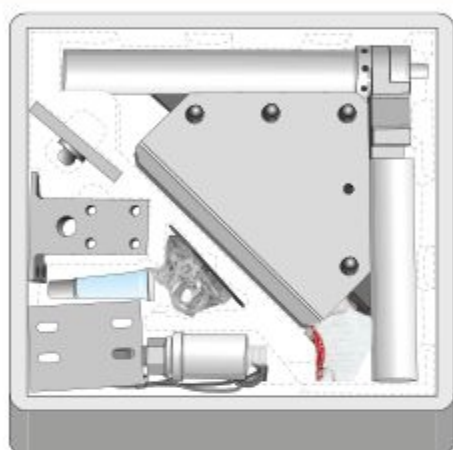


2 lengths available

3 500mm	2 pieces / kit
4 700mm	2 pieces / kit

Material: Anodized Silver Aluminum or White painted aluminum

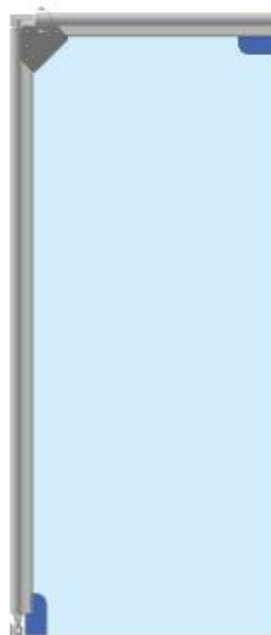
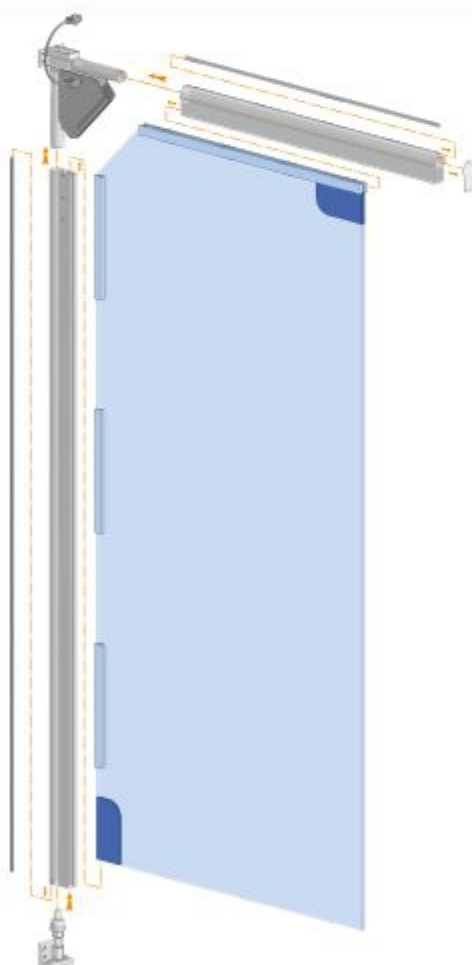
DOOR KIT



Assembly kit containing all components for a double wing door:

- 2 x spring mechanism
- 2 x top fixture
- 2 x setscrews and nuts
- 2 x bottom mounting plate
- 2 x L-shaped interior mounting plate
- 2 x connecting tubes
- 4 x aluminum corner panels
- 2 x profile end caps
- 8 x Polyester coated PVC end caps
- 2 x safety loops

ASSEMBLING INSTRUCTIONS



Prior to installation, please check gate/ door frames for being vertically and horizontally even by water level. If necessary, insert leveling frame.